

# **GENESYS™ Series**

**Programmable DC Power Supplies**

**G1.7 ÷ 5kW in 1U 0-600V / 0-500A**

**GSP10kW in 2U 0-600V / 0-1000A**

**GSP15kW in 3U 0-600V / 0-1500A**

**Standard and Blank Panel Options**

## **AIR FILTER KIT MANUAL**



IA857-04-01B

## 1.1 General

The Air Filter Kit is supplied separately from the power supply packing according to order.

The usage of the air filter is according to customers' needs.

## 1.2 Specifications{ XE "Specifications:Air Filter" \i }

When using the air filter kit, all the specifications of the power supply remain the same as for standard power supply, with the exceptions specified in the table below:

| ENVIRONMENTAL CONDITIONS |  |
|--------------------------|--|
| Operating temperature    | For all models except 10V 3.4kW~15kW: 0~40°C, 100% load.<br>For 10V 3.4kW~15kW models:<br>0~30°C, 100% load, For 30°C≤Ta≤40°C, derate 5A/1°C.  |
| Altitude                 | Operating: Maximum 10000ft (3000m).<br>For all models except 10V 3.4kW~15kW:<br>Derate 1°C/100m, or 2% Load/100m above 2000m.<br>For 10V 3.4kW~15kW models:<br>Derate 2°C/100m, or 2% Load/100m above 2000m. |

### NOTE

For power supplies with Air filter option **and** optional interface installed, please contact TDK-Lambda customer support department or your local sales office.

## 1.3 Maintenance{ XE "Maintenance" \i }

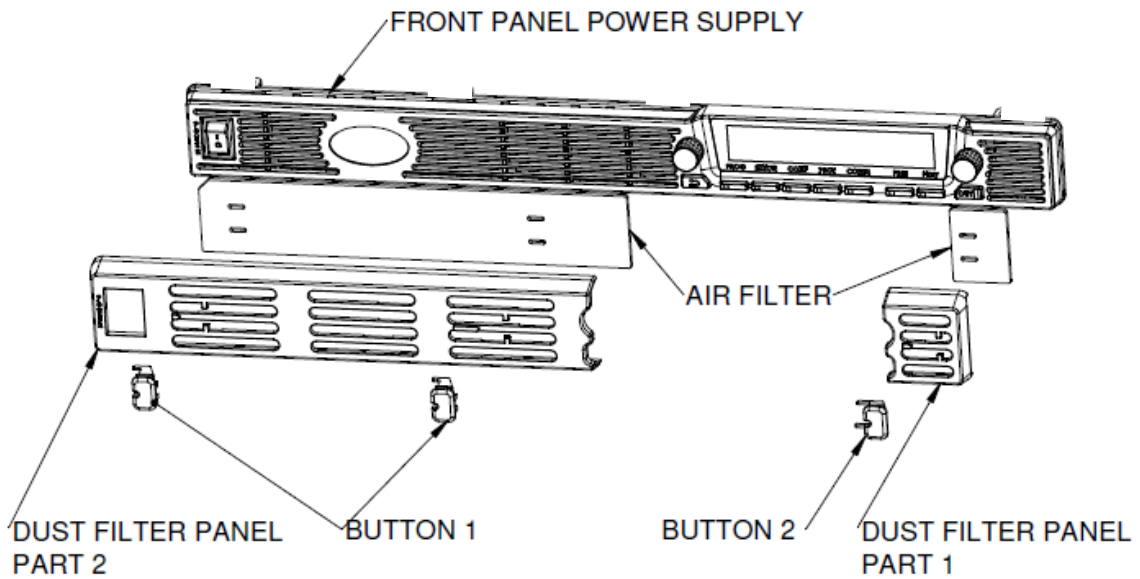
Cleaning of the air filter – according to customer considerations and needs.

### 1.3.1 Cleaning Instructions{ XE "Cleaning Instructions:Air Filter" \i }

1. Disconnect the AC power cord from the power supply.
2. Remove the air filter according to the instructions below.
3. Clean the air filter by removing dust and dirt, which were accumulated in the filter. Low air pressure can be used gently.
4. After finishing cleaning, assemble the air filter according to the instructions below.
5. Ensure to lock the air filter assembly properly, by moving the buttons as explained below.
6. After finishing the air filter assembly, apply AC power to the power supply and ensure proper operation.

**1.3.2 Assembly Instructions{ XE "Assembly Instructions:Standard Power Supply" \i } for Standard Panel**

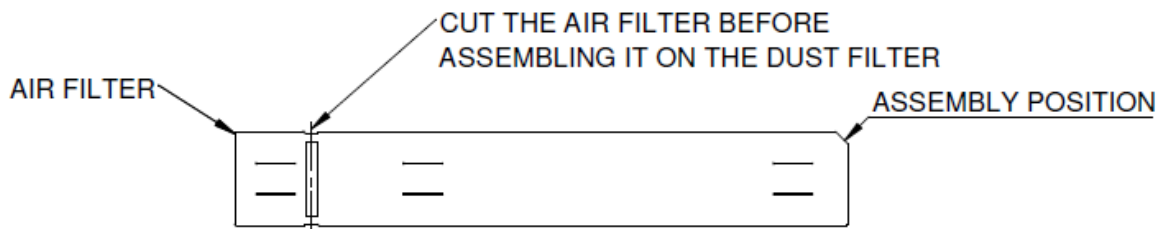
Standard Panel Air Filter Kit consists of two main panel parts (Dust Filter Panel Part 1 and Dust Filter Panel Part 2), three Buttons (two types – Button 1 and Button 2) and an Air Filter. Refer to Figure 1.



**Figure 1 - Standard Panel Air Filter Kit**

**Step 1:**

Cut the Air Filter Foam as shown in Figure 2.



**Figure 2 - Air Filter Foam**

**Step 2:**

Assemble the Air Filter Foam into the two main panel parts as shown in Figure 3.

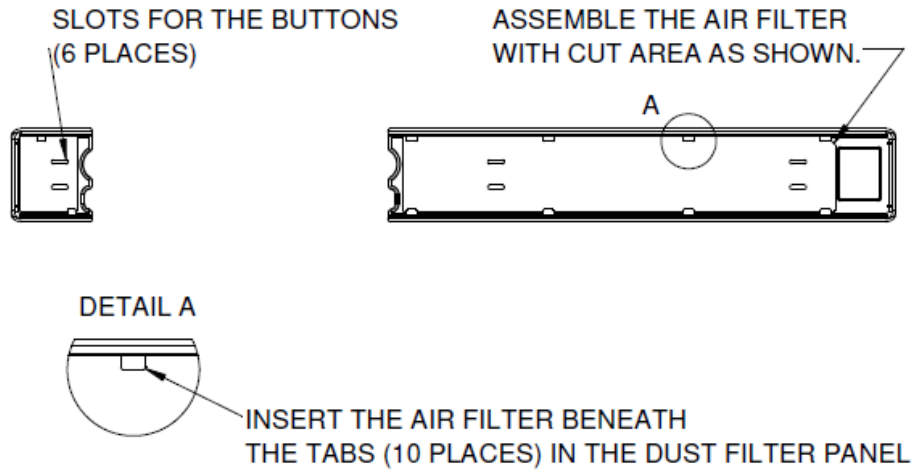


Figure 3 - Air Filter Foam Assembly

**Step 3:**

Assemble the buttons into the two main parts as shown in Figure 4.

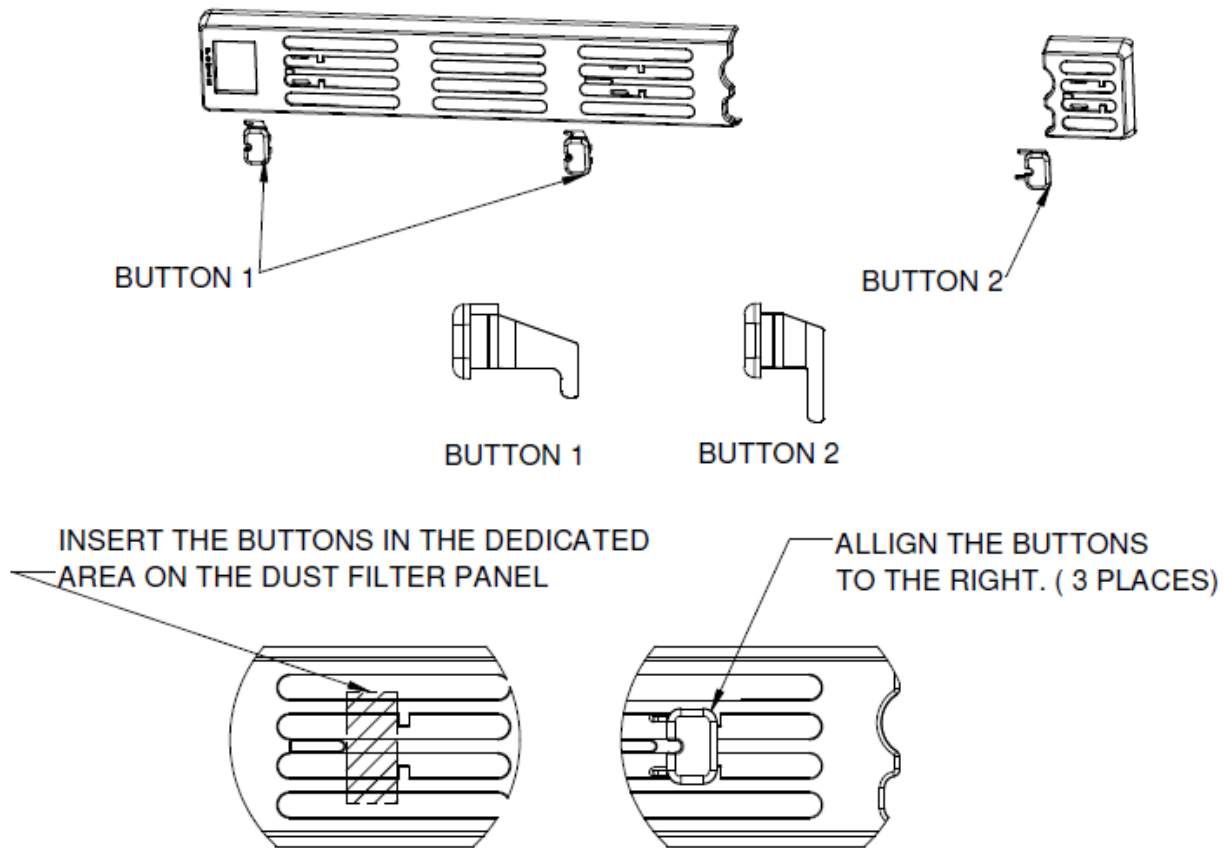
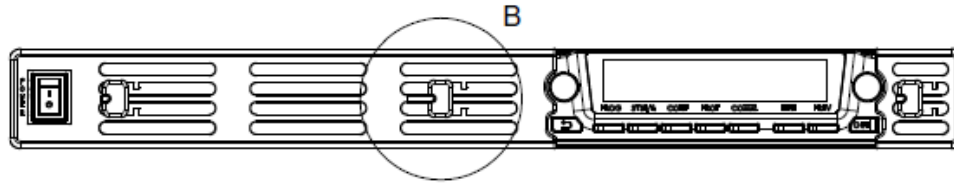


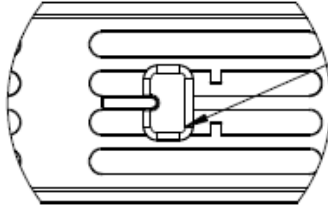
Figure 4 - Buttons Assembly

**Step 4:**

Fix the air filter main parts to the front panel of the power supply. Refer to Figure 5.



DETAIL B

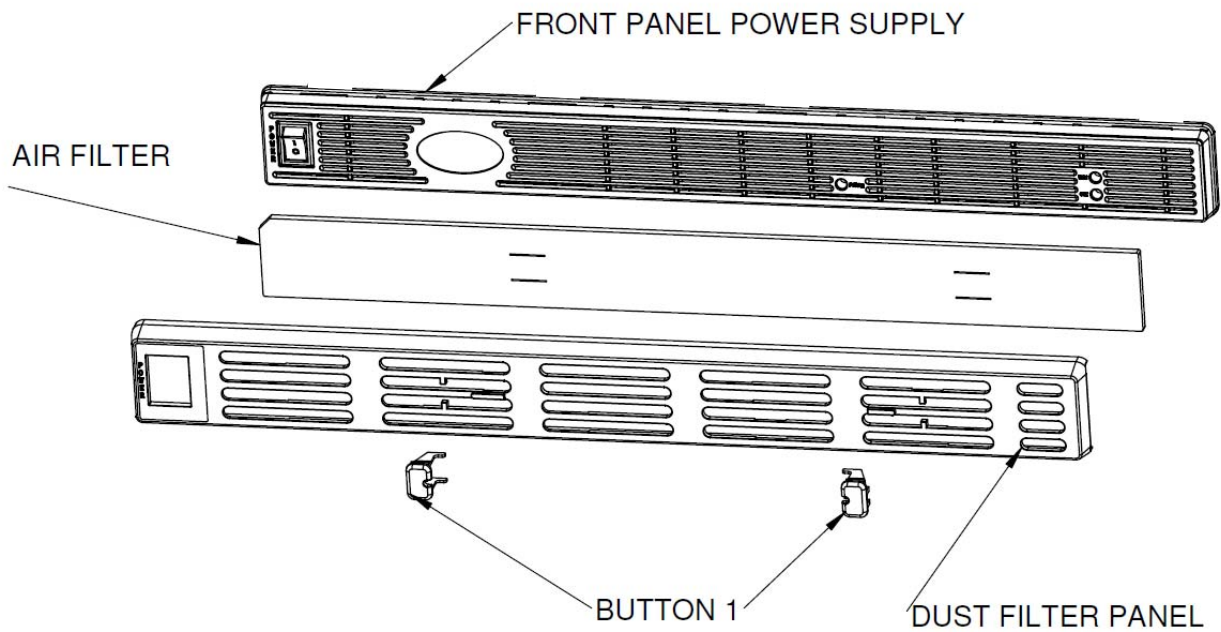


MOUNT THE DUST FILTER ASSEMBLY TO THE FRONT PANEL. MOVE THE BUTTONS TO THE LEFT ( 3 PLACES), TO FIX THE DUST FILTER ON THE FRONT POWER SUPPLY.

Figure 5 - Main Parts Assembly

**1.3.3 Assembly Instructions{ XE "Assembly Instructions:Standard Power Supply" \i } for Blank Panel**

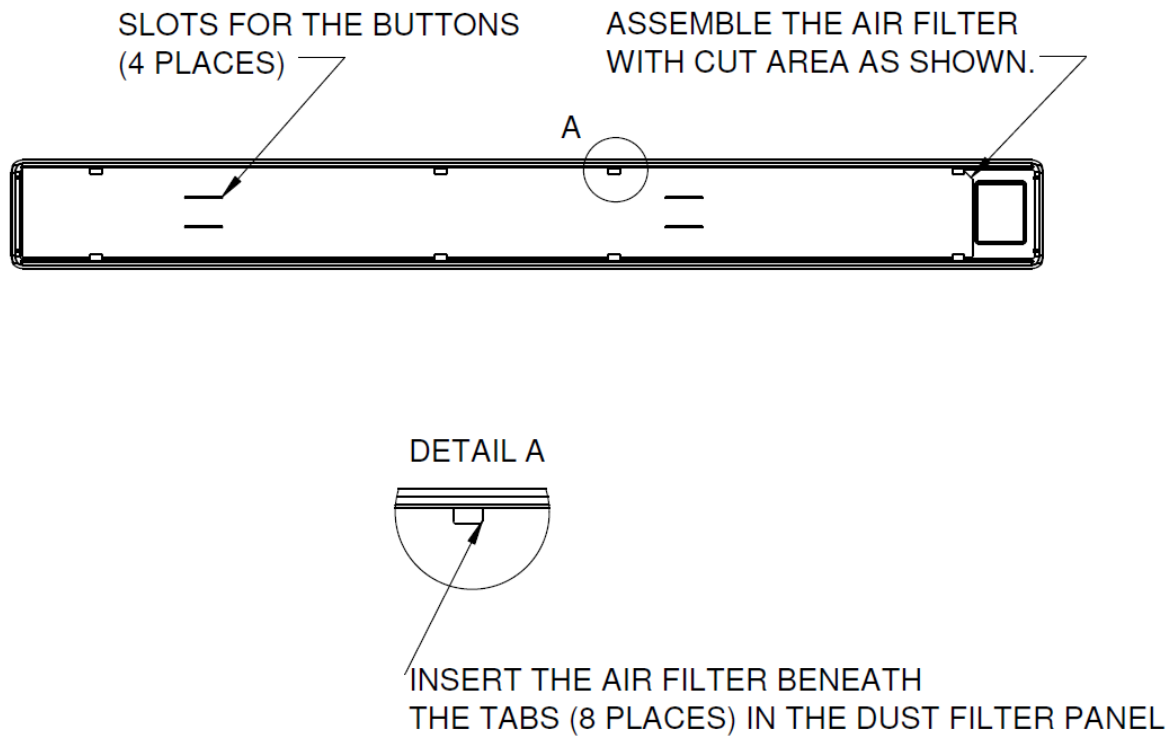
Blank Panel Air Filter Kit consists of one main panel part (Dust Filter Panel), two Buttons (of the same type – Button 1) and an Air Filter. Refer to Figure 6.



**Figure 6 - Blank Panel Air Filter Kit**

**Step 1:**

Assemble the Air Filter Foam into the main panel part as shown in Figure 7.

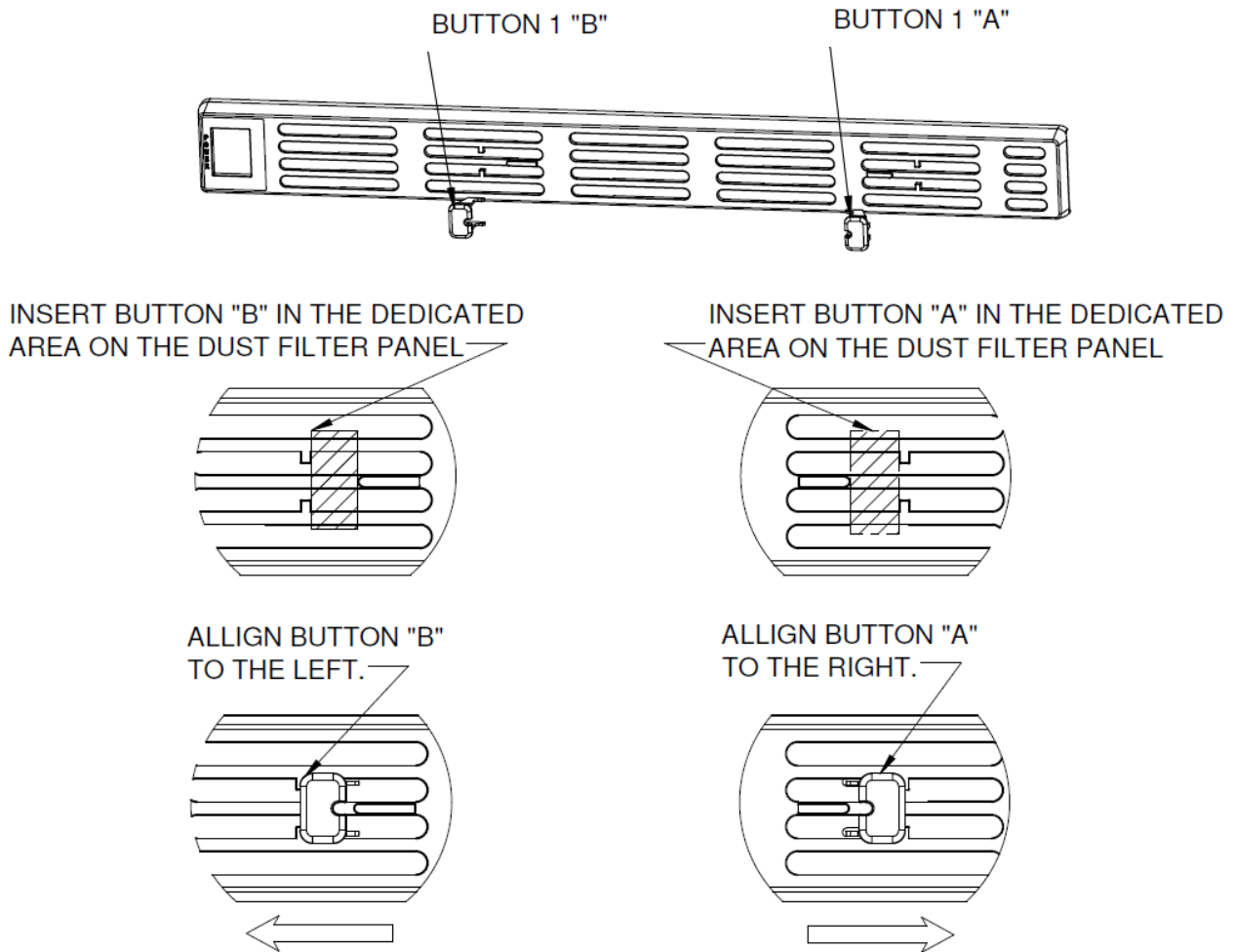


**Figure 7 - Air Filter Foam Assembly**



**Step 2:**

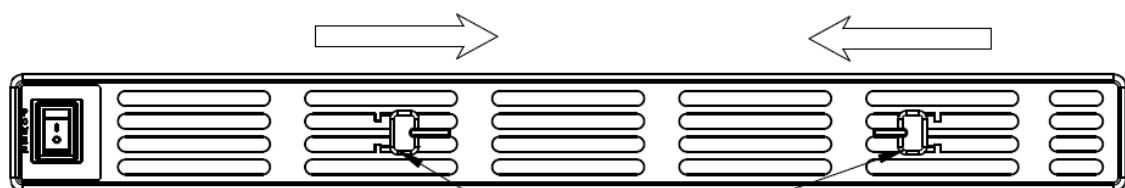
Assemble the buttons into the main part as shown in Figure 8.



**Figure 8 - Buttons Assembly**

**Step 3:**

Fix the air filter main panel part to the front panel of the power supply. Refer to Figure 9.



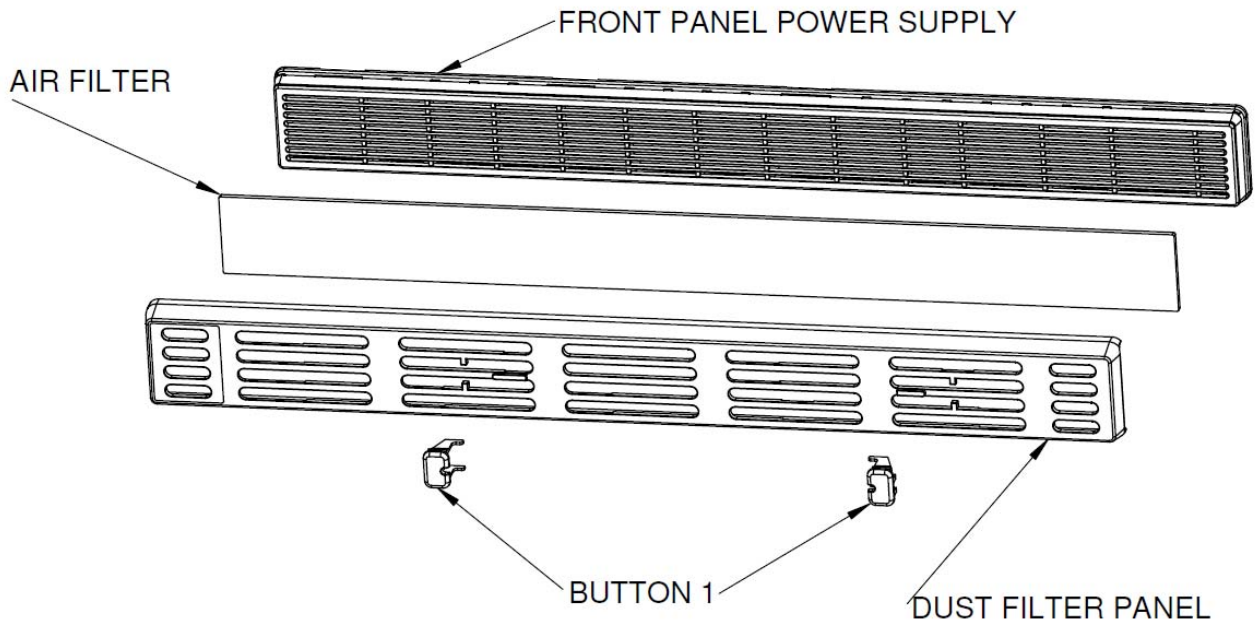
MOUNT THE DUST FILTER ASSEMBLY TO THE FRONT PANEL.  
MOVE BUTTON "B" TO THE RIGHT AND BUTTON "A" TO THE LEFT, TO FIX THE DUST FILTER ON THE FRONT POWER SUPPLY.

**Figure 9 - Main Part Assembly**



**1.3.4 Assembly Instructions{ XE "Assembly Instructions:Standard Power Supply" \i } for 10kW/15kW Booster Panel**

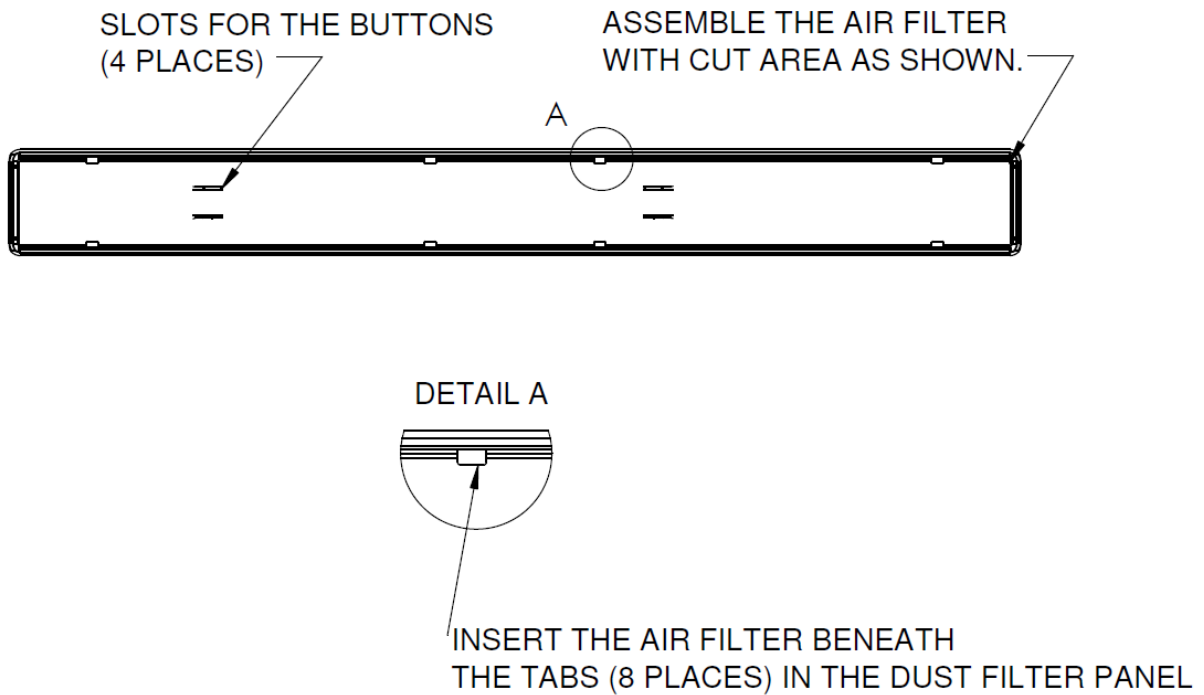
Booster Panel Air Filter Kit consists of one main panel part (Dust Filter Panel), two Buttons (of the same type – Button 1) and an Air Filter. Refer to Figure 10.



**Figure 10 - Blank Panel Air Filter Kit**

**Step 1:**

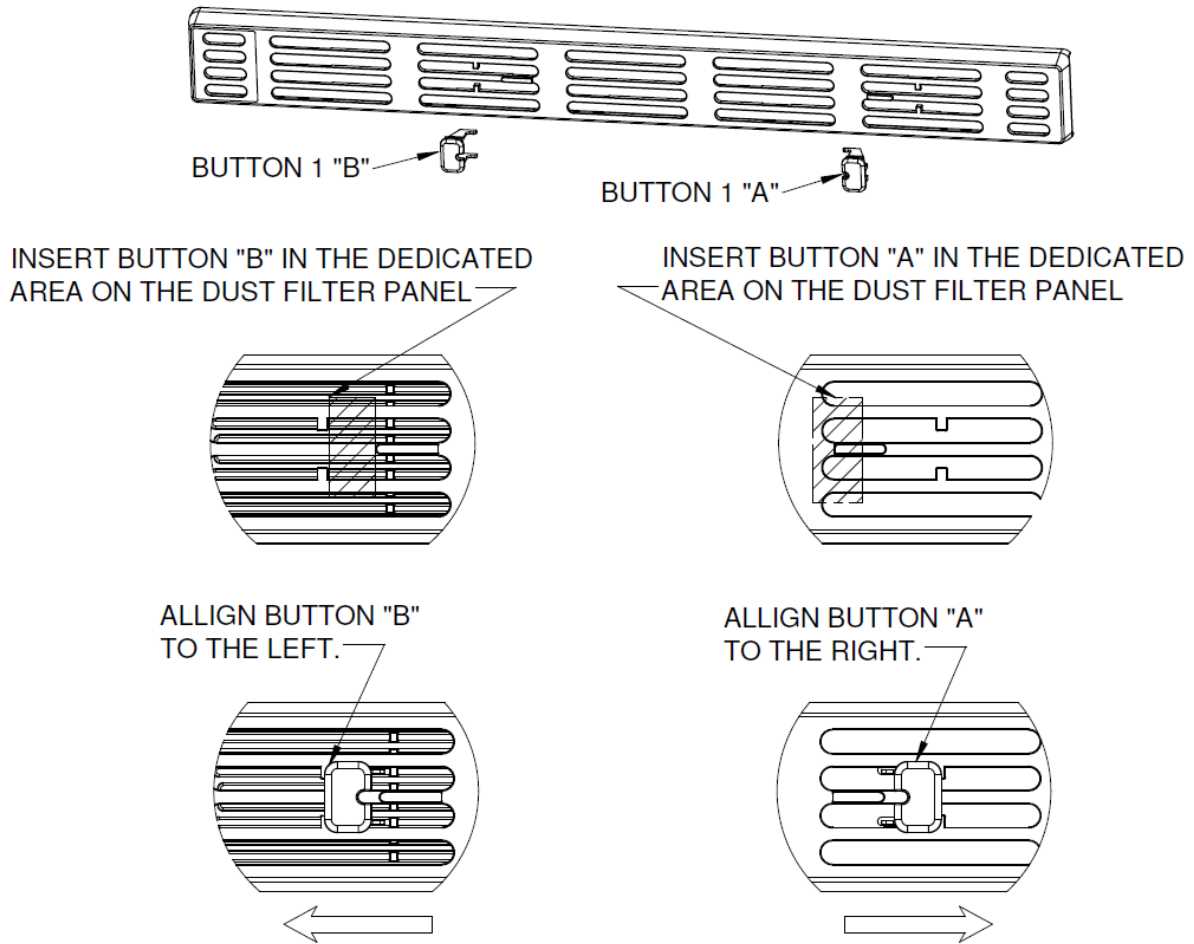
Assemble the Air Filter Foam into the main panel part as shown in Figure 11.



**Figure 11 - Air Filter Foam Assembly**

**Step 2:**

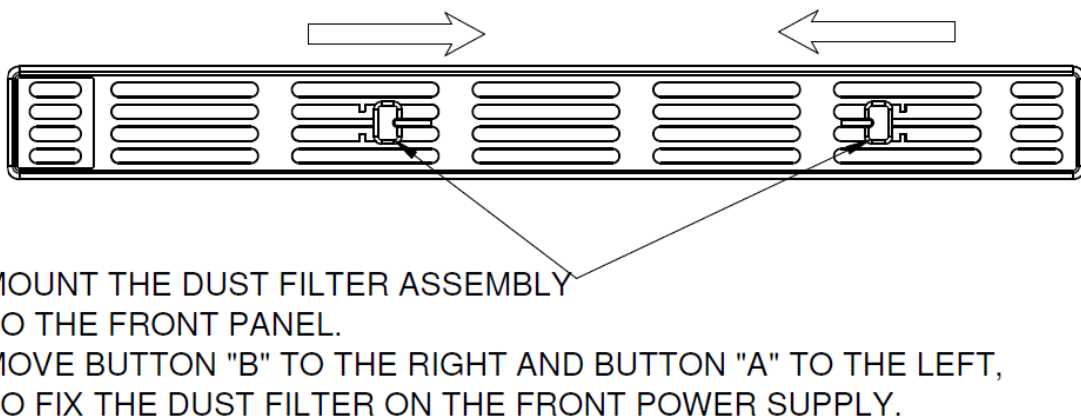
Assemble the buttons into the main part as shown in Figure 12.



**Figure 12 - Buttons Assembly**

**Step 3:**

Fix the air filter main panel part to the front panel of the power supply. Refer to Figure 13.



**Figure 13 - Main Part Assembly**